

Data Sheet

Customer:

Product: Molding E-Beam Welded Metal Strip Resistor — WMB Series

Sizes.: 2512

Issued Date: 07-Oct-24

Edition: REV.A1



VIKING TECH CORPORATION
光頡科技股份有限公司
No.70, Guangfu N. Rd., Hukou
Township, Hsinchu County
303, Taiwan (R.O.C)

TEL:886-3-5972931
FAX:886-3-5972935•886-3-5973494
E-mail:sales@viking.com.tw

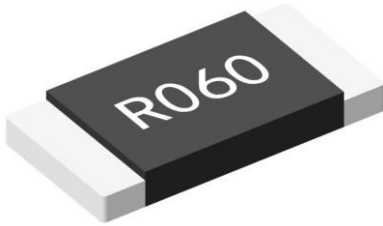
VIKING TECH CORPORATION KAOHSIUNG BRANCH
光頡科技股份有限公司高雄分公司
No.248-3, Sin-Sheng Rd., Cian-Jhen Dist., Kaohsiung,
806, Taiwan

TEL:886-7-8217999
FAX:886-7-8228229
E-mail:sales@viking.com.tw

VIKING ELECTRONICS (WUXI) CO., LTD.
光頡電子(無錫)有限公司
No.22 Xixia Road, Machinery & Industry Park,
National Hi-Tech Industrial Development Zone
of Wuxi, Wuxi, Jiangsu Province, China
Zip Code:214028
TEL:86-510-85203339
FAX:86-510-85203667•86-510-85203977
E-mail:china@viking.com.tw

Produced by (QC)	Checked (QC)	Approved by (QC)	Prepared by (Sales)	Accepted by (Customer)
07-Oct-24	07-Oct-24	07-Oct-24	07-Oct-24	
<i>Mandy Chang</i>	<i>Ben Chang</i>	<i>Ben Chang</i>		

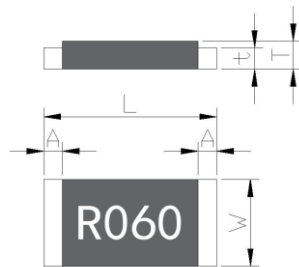
Molding E-Beam Welded Metal Strip Resistor



■ Features

- E-beam welded metal strip resistors, pure copper Electrodes are the ideal solution for current sensing applications
- Excellent reliability, stability, Anti-pulse capability
- Special welding process, all-metal construction, Supports low resistance , High temperature resistant resin molded encapsulation, strong weather resistance
- Low thermal EMF(<math><1 \mu\text{V}/^\circ\text{C}</math>)
- Ultra-low parasitic inductance(<math>< 3\text{nH}</math>) , fast response, can be used for high frequency AC current detection.
- AEC-Q200 Reliability Testing passed
- RoHS compliant

■ Dimensions



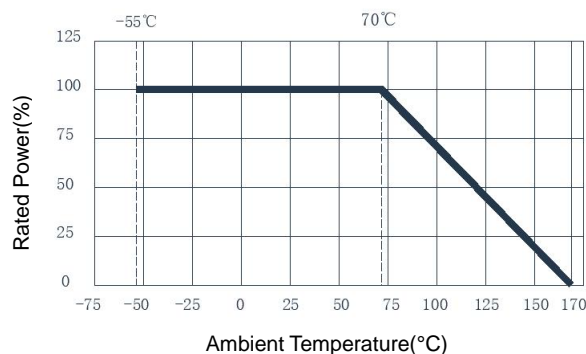
Unit: mm

Type	Size (Inch)	Resistance (mΩ)	Material	L	W	A	t	T
WMB12	2512	51 - 300	Kamar	6.40±0.20	3.20±0.20	0.95±0.20	0.60±0.10	0.80±0.15

■ Part Numbering

WMB	12	F	T	D	S	R050	K
Product Type	Dimensions	Resistance Tolerance	Packaging Code	TCR (PPM/°C)	Power Rating	Resistance	Material Code
	12: 2512	F: ±1% J: ±5%	T: Taping Reel	D: ±50	S: 2W	R050: 0.05Ω R100: 0.1Ω	K: Kamar

■ Derating Curve



Molding E-Beam Welded Metal Strip Resistor

Standard Electrical Specifications

Type	Power Rating	Material	Resistance Range(mΩ)		TCR (PPM/°C)
			±1%	±5%	
WMB12 (2512)	2W	Kamar	51 -300		±50

Operating Temperature: -55 ~ +170°C

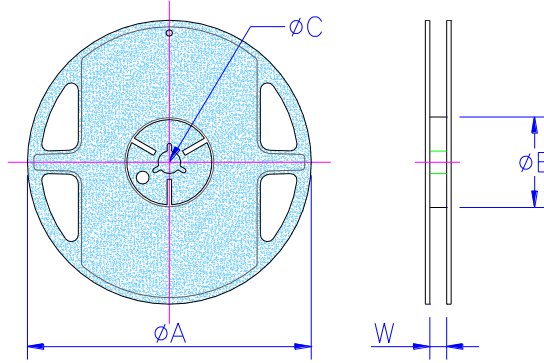
Environmental Characteristics

Item	Requirement	Test Method
Temperature Coefficient of Resistance (T.C.R.)	Within the specified value	IEC60115-1 4.8 Measured value 20°C and +130°C, reference value +20°C
Solderability	No visible damage, weldable area 95% minimum	IEC60115-1 4.17 245°C for 3 seconds
Short time overload	No visible damage, ΔR±1.0% maximum	IEC60115-1 4.13 5 times rated voltage, 5 sec
Resistance to solder heat	No visible damage, ΔR±0.5% maximum	IEC60115-1 4.18 260°C for 10 sec
Bending Strength	Within the specified value	IEC60115-1 4.33 Bending amplitude 2 mm for 60±5 seconds
Flammability	No ignition of the tissue paper or scorching or the pinewood board	UL-94 V-0 or V-1 are acceptable. Electrical test not required
Insulation Resistance	>1000MΩ	IEC60115-1 4.6 Apply 100VDC for 1 minute
Dielectric Withstand Voltage	No breakdown or arcing	IEC60115-1 4.7 Apply 100VAC for 60±5 seconds
Resistance to solvents	Marking Unsmearred	IEC60115-1 4.29 IPA, 23±5°C, 5±0.5 minute
Biased Humidity	No visible damage, ΔR±1.0% maximum	AEC-Q200 Test 7 MIL-SRD-202 Method 103 Temperature 85°C, humidity 85% of the conditions applied 10% of the rated power (current) or component limit current (whichever is less), for 1000 hours
High temperature storage	No visible damage, ΔR±1.0% maximum	IEC60115-1 4.25.3 1000 hrs @ 170°C, without load
Low temperature load	No visible damage, ΔR±0.5% maximum	IEC60115-1 4.36 -55°C, No load for one hour, rated voltage load for 45 min, no load for 15 min
Temperature cycling	No visible damage, ΔR±1.0% maximum	IEC60115-1 4.19 -55°C @ 30 min ~ room temperature @ <5 min ~ +155°C @ 30 min, 1000 cycles
Load life	No visible damage, ΔR±1.0% maximum	IEC60115-1 4.25.1 1000 h @ 70±2°C, rated voltage, 90 min on, 30 min off

Molding E-Beam Welded Metal Strip Resistor

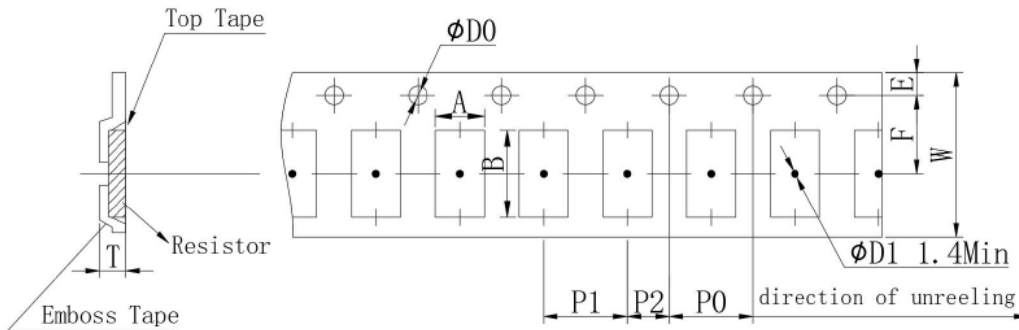
■Packaging

Reel Specifications & Packaging Quantity



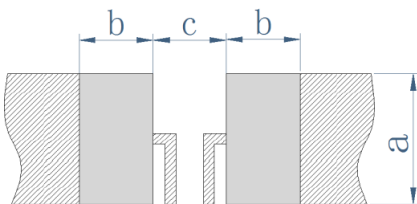
Type	Packaging Quantity	Tape Width	Reel Diameter	øA (mm)	øB (mm)	øC (mm)	W (mm)
WMB12	Embossed 4K	12mm	7 inch	178.0±2.0	60.0±1.0	13.5±0.5	12.3±0.5

Embossed Plastic Tape Specifications



Type	A (mm)	B (mm)	W (mm)	E (mm)	F (mm)	P0 (mm)	P1 (mm)	P2 (mm)	øD0 (mm)	T (mm)
WMB12	3.50	6.80	12.00	1.75	5.5	4.00	4.00	2.00	1.50	1.20

■Recommend Land Pattern



Type	a (mm)	b (mm)	c (mm)
WMB12	3.7	1.9	3.6