

Data Sheet

Customer :

Product : **Thin Film Array Chip Resistor - TFAN Series**

Size: **0603x4**

Issued Date: **16-May-24**

Edition : **REV.B9**



VIKING TECH CORPORATION
光頡科技股份有限公司

No.70, Guangfu N. Rad.,
Hsin Chu Industrial Park,
Hukou Hsiang, Hsin Chu Hsien,
303, Taiwan

TEL:886-3-5972931

FAX:886-3-5972935•886-3-5973494

E-mail:sales@viking.com.tw

VIKING TECH CORPORATION KAOHSIUNG BRANCH
光頡科技股份有限公司高雄分公司

No.248-3, Sin-Sheng Rd., Cian-Jhen Dist., Kaohsiung,
806, Taiwan

TEL:886-7-8217999

FAX:886-7-8228229

E-mail:sales@viking.com.tw

Viking Electronics (WUXI) CO., LTD.
光頡電子(無錫)有限公司

No.1A,(Xixia Road),Machinery & Industry Park,
National Hi-Tech Industrial Development Zone of
Wuxi, Wuxi, Jiangsu Province, China

Zip Code:214028

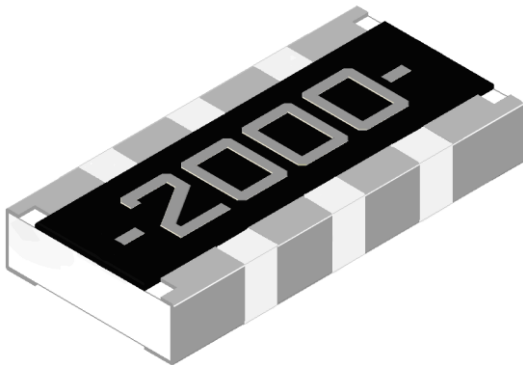
TEL:86-510-85203339

FAX:86-510-85203667•86-510-85203977

E-mail:wuxisales@tmtec.com.tw

Produced by (QC)	Checked (QC)	Approved by (QC)	Prepared by (Sales)	Accepted by (Customer)
16-May-24	16-May-24	16-May-24	16-May-24	
Chun	Ben Chang	Ben Chang		

Thin Film Array Chip Resistor (TFAN Series)



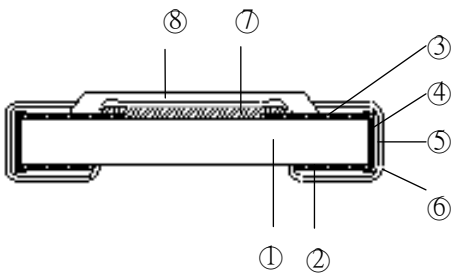
■ Features

- Advanced thin film technology
- Very tight tolerance down to $\pm 0.05\%$
- Extremely low TCR down to $\pm 5\text{PPM}/^\circ\text{C}$
- TCR tracking down to 5ppm($\pm 2.5\text{ppm}$) and tolerance matching down to 0.1%($\pm 0.05\%$)
- RoHS compliant component, compatible with lead (Pb)-free

■ Applications

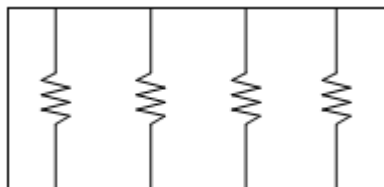
- Voltage divider
- Feedback circuits
- Signal conditioning

■ Construction



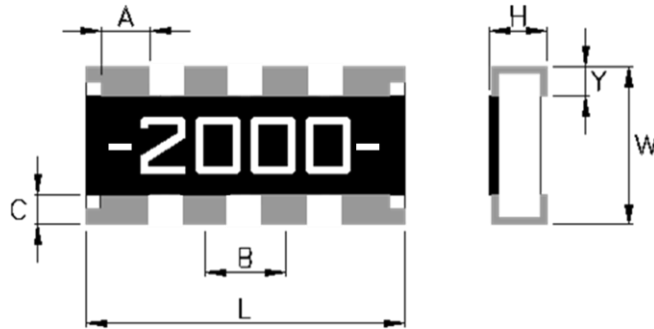
① Alumina Substrate	④ Edge Electrode	⑦ Resistor Layer
② Bottom Electrode	⑤ Barrier Layer	⑧ Overcoat
③ Top Electrode	⑥ External Electrode	

■ Equivalent Circuit Diagram



TFAN43

■ Dimensions



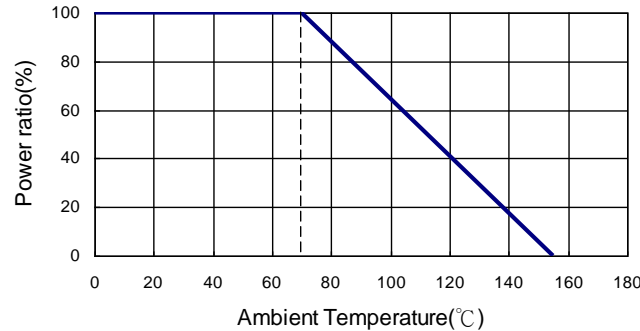
Type	Number of Resistors	L	W	H	A	B	C	Y
TFAN43	4	3.20±0.15	1.60±0.15	0.55±0.10	0.50±0.15	0.80±0.05	0.25±0.15	0.30±0.15

■ Part Numbering

TFAN	43	B0	T	C0	Y	1001	N
Product Type	Dimensions	Tolerance Grade	Packaging Code	TCR Grade	Power Rating	Resistance	Marking Code
	0603X4	Reference Tolerance Grade Table	T: Taping Reel B: Bulk	Reference TCR Grade Table	Y:1/16W W:1/8W X:1/10W	1000: 100Ω 1001: 1KΩ 1211: 1.21KΩ 3323:332KΩ	: Standard Marking for E96 N: No Marking

Tolerance Grade				TCR Grade			
Code	Absolute Tolerance	Tolerance Matching	Resistance Value	Code	Absolute TCR	TCR Tracking	Resistance Value
A0	±0.05%	N/A	24.9~332K	S0	±5ppm	N/A	24.9~60K
B0	±0.1%	N/A	24.9~332K	S5	±5ppm	5ppm	24.9~60K
B3	±0.1%	0.1%	24.9~332K	B0	±10ppm	N/A	24.9 ~332K
C0	±0.25%	N/A	24.9~332K	B4	±10ppm	10ppm	24.9 ~332K
C2	±0.25%	0.25%	24.9~332K	B5	±10ppm	5ppm	24.9~60K
C3	±0.25%	0.1%	24.9~332K	N0	±15ppm	N/A	24.9 ~332K
D0	±0.5%	N/A	24.9~332K	N3	±15ppm	15ppm	24.9 ~332K
D1	±0.5%	0.5%	24.9~332K	N4	±15ppm	10ppm	24.9 ~332K
D2	±0.5%	0.25%	24.9~332K	N5	±15ppm	5ppm	24.9~60K
F0	±1%	N/A	24.9~332K	C0	±25ppm	N/A	24.9~332K
F1	±1%	0.5%	24.9~332K	C2	±25ppm	25ppm	24.9~332K
F2	±1%	0.25%	24.9~332K	C3	±25ppm	15ppm	24.9~332K
				C4	±25ppm	10ppm	24.9~332K
				D0	±50ppm	N/A	24.9~332K
				D1	±50ppm	50ppm	24.9~332K
				D2	±50ppm	25ppm	24.9~332K

Derating Curve



Electrical Specifications

Item Type	Power Rating at 70°C	Operating Temp. Range	Max. Operating Voltage	Max. Overload Voltage	Resistance Range					TCR (PPM/°C)
					±0.05%	±0.1%	±0.25%	±0.5%	±1%	
TFAN 43	1/16W	-55 ~ +155°C	50V	100V	24.9Ω~332KΩ					±10 ±15 ±25 ±50
	1/10W 1/8W	-55 ~ +155°C	75V	150V	24.9Ω~332KΩ					±25 ±50
	1/16W	-55 ~ +155°C	50V	100V	24.9Ω~60KΩ					±5
	1/10W	-55 ~ +155°C	75V	150V						

Operating Voltage= $\sqrt{P \cdot R}$ or Max. operating voltage listed above, whichever is lower.
 Overload Voltage= $2.5 \cdot \sqrt{P \cdot R}$ or Max. overload voltage listed above, whichever is lower.
 ■Viking is capable of manufacturing the optional spec based on customer's requirement.

Environmental Characteristics

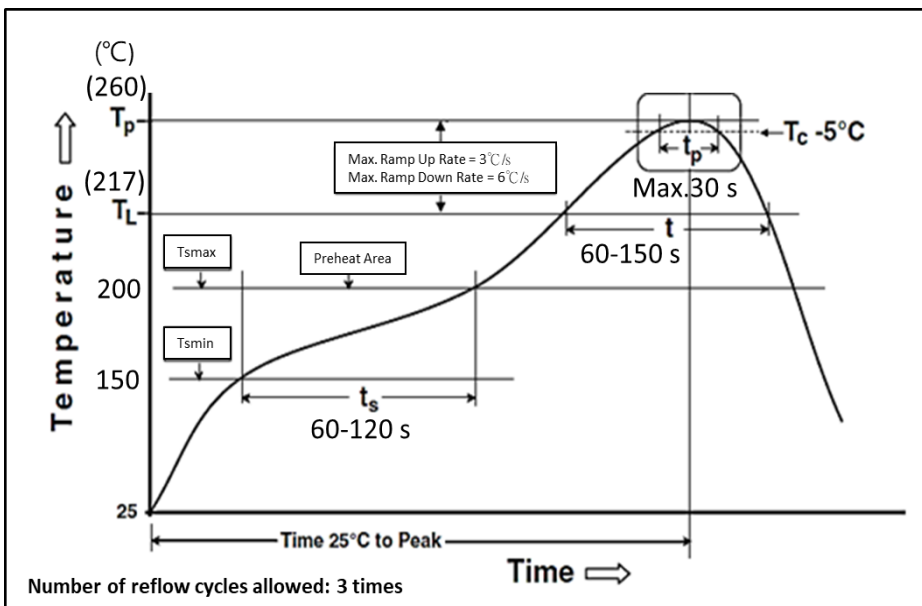
Item	Requirement	Test Method
Temperature Coefficient of Resistance (T.C.R.)	As Spec.	MIL-STD-202 Method 304 +25/-55/+25/+125/+25°C
Short Time Overload	$\Delta R \pm 0.1\%$	JIS-C-5201-1 4.13 RCWV*2.5 or Max. overload voltage whichever is lower for 5 seconds
Insulation Resistance	>1000 MΩ	MIL-STD-202 Method 302 Apply 100V _{DC} for 1 minute
Endurance	1000Hr : $\Delta R \pm 0.15\%$ 8000Hr : $\Delta R \pm 0.3\%$	MIL-STD-202 Method 108 70±2°C, RCWV with 1.5 hrs "ON" and 0.5 hrs "OFF"
Damp Heat with Load	$\Delta R \pm 0.25\%$	MIL-STD-202 Method 103 40±2°C, 90~95% R.H., RCWV for 1000 hrs with 1.5 hrs "ON" and 0.5 hrs "OFF"
Damp Heat with Load(85°C/85% R.H)	$\Delta R \pm 0.5\%$	85±2°C, 80~90% R.H. 10% of RCWV for 1000 hrs with 1.5 hrs "ON" and 0.5 hrs "OFF"
Dry Heat	1000Hr : $\Delta R \pm 0.25\%$ 8000Hr : $\Delta R \pm 0.5\%$	At +125°C
Bending Strength	$\Delta R \pm 0.2\%$	JIS-C-5201-1 4.33 Bending amplitude 3 mm for 10 seconds
Solderability	95% min. coverage	MIL-STD-202 Method 208 245±5°C for 3 seconds
Resistance to Soldering Heat	$\Delta R \pm 0.2\%$	MIL-STD-202 Method 210 260±5°C for 10 seconds

Dielectric Withstand Voltage	100V	MIL-STD-202 Method 301 Max. overload voltage for 1 minute
Thermal Shock	$\Delta R \pm 0.25\%$	MIL-STD-202 Method 107 -55°C ~150°C, 100 cycles
Low Temperature Operation	$\Delta R \pm 0.25\%$	JIS-C-5201-1 4.36 1 hour, -65°C, followed by 45 minutes of RCWV

RCWV(Rated continuous working voltage)= $\sqrt{P \cdot R}$ or Max. Operating voltage whichever is lower

- Storage Temperature: 15~28°C; Humidity < 80%RH
- Shelf Life: 2 years from production date.

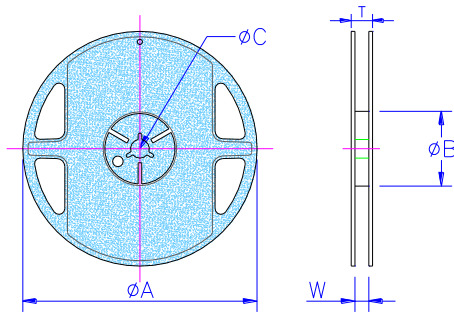
■ Soldering Condition(IPC/JEDEC J-STD-020)



Reflow Profiles	
Profile Feature	Pb-Free Assembly
Preheat	
Min. Temperature (T_{smin})	150 °C
Max Temperature (T_{smax})	200 °C
Preheating time (t_s) from (T_{smin} to T_{smax})	60-120 seconds
Ramp-up rate (T_L to T_p)	3 °C/second max.
Liquidous temperature (T_L)	217 °C
Time (t_L) maintained above T_L	60-150 seconds
Min. Peak temperature (T_p min)	235°C
Max. Peak temperature (T_p max)	260°C
Time (t_p) within 5 °C of the specified classification temperature (T_c)	30 seconds max.
Ramp-down rate (T_p to T_L)	6 °C/second max.
Time 25 °C to peak temperature	8 minutes max.

■Packaging

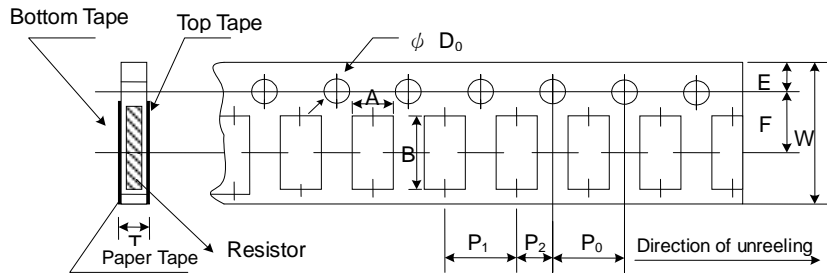
Reel Specifications & Packaging Quantity



Unit: mm

Type	Packaging Quantity	Tape width	Reel Diameter	ΦA	ΦB	ΦC	W	T
TFAN 43	Paper 5K	8mm	7 inch	178.5±1.5	60 ^{+1/-0}	13.0±0.2	9.0±0.5	12.5±0.5

Paper Tape Specifications



Unit: mm

Type	A	B	W	E	F	P ₀	P ₁	P ₂	ΦD ₀	T
TFAN43	1.95±0.1	3.50±0.1	8.0±0.2	1.75±0.1	3.5±0.05	4.0±0.1	4.0±0.05	2.0±0.05	1.5 ^{+0.1/-0}	0.85±0.1

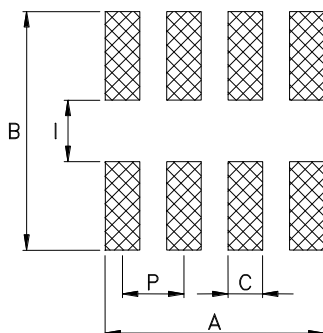
■Marking

TFAN 43: 4 digits marking

Example:

Resistance	100Ω	2.2KΩ	10KΩ	49.9KΩ	100KΩ	332KΩ
marking	1000	2201	1002	4992	1003	3323

■Recommend Land Pattern



Unit: mm

Type	A	B	C	I	P
TFAN43	3.10	2.85	0.45	0.80	0.80