

## Data Sheet

**Customer:**

**Product:** Automotive Grade Alloy Chip Shunt Resistor — LRA..A Series

**Size.:** 0340

**Issued Date:** 13-Jun-23

**Edition:** REV.A1



VIKING TECH CORPORATION  
光韻科技股份有限公司  
No.70, Guangfu N. Rd.,  
Hukou Township, Hsinchu County  
303, Taiwan (R.O.C)

TEL:886-3-5972931  
FAX:886-3-5972935•886-3-5973494  
E-mail:sales@viking.com.tw

VIKING TECH CORPORATION KAOHSIUNG BRANCH  
光韻科技股份有限公司高雄分公司  
No.248-3, Sin-Sheng Rd., Cian-Jhen Dist., Kaohsiung,  
806, Taiwan

TEL:886-7-8217999  
FAX:886-7-8228229  
E-mail:sales@viking.com.tw

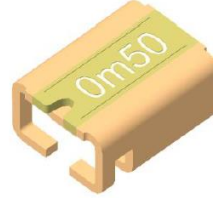
VIKING ELECTRONICS (WUXI) CO., LTD.  
光韻電子(無錫)有限公司  
No.22 Xixia Road, Machinery & Industry Park,  
National Hi-Tech Industrial Development Zone  
of Wuxi, Wuxi, Jiangsu Province, China  
Zip Code:214028  
TEL:86-510-85203339  
FAX:86-510-85203667•86-510-85203977  
E-mail:china@viking.com.tw

Produced by (QC)	Checked (QC)	Approved by (QC)	Prepared by (Sales)	Accepted by (Customer)
13-Jun-23	13-Jun-23	13-Jun-23	13-Jun-23	
<i>Kris Chen</i>	<i>Ben Chang</i>	<i>Ben Chang</i>		

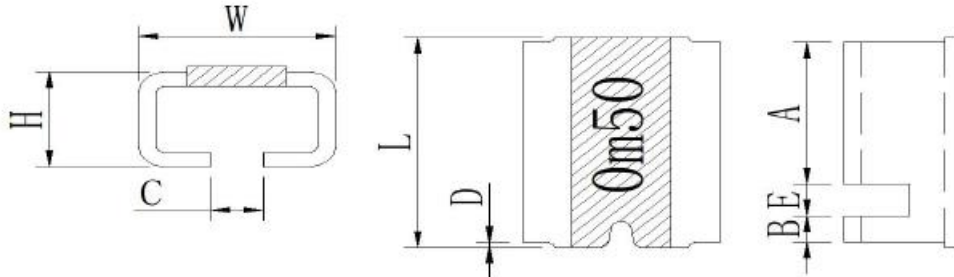
**Automotive Grade Alloy Chip Shunt Resistor**  
**Automotive Grade Alloy Chip Shunt Resistor**

**Applications**

- Nudity E-beam welded metal strip resistors with 4-terminal, Pure copper electrodes are the ideal solution for current sensing applications.
- Excellent reliability, stability, Anti-pulse capability, support  $\pm 0.5\%$  tolerance of R value
- Special welding process, all-metal construction, supports low Resistance (down to 0.2m $\Omega$ ), surface pickling passivation Treatment, vulcanization resistance, strong weather resistance
- Very low EMF ( $<1 \mu V/^{\circ}C$ )
- Ultra-low parasitic inductance down to 2 nH, Fast response, Can be used for high frequency AC current detection
- AEC-Q200 Reliability Testing passed
- RoHS compliant



**Dimensions**



Type	Size (Inch)	Resistance (m $\Omega$ )	Material	L (mm)	W (mm)	H (mm)	A (mm)	B (mm)	C (mm)	D (mm)	E (mm)
LRA0340	1216	0.3	Manganin	4.1+0/-0.3	3.1+0/-0.35	1.9+0/-0.35	2.7 $\pm$ 0.1	0.5 $\pm$ 0.1	0.8+0.35/-0	0.1	0.6+0.15/-0
		0.5	Manganin								
		1	Manganin								
		2	Kamar								
		2.5	Kamar								

**Part Numbering**

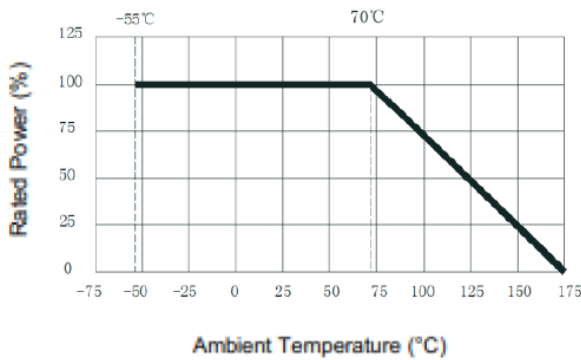
LRA	0340	F	T	E	D	R001	MI	A
Product Type	Dimensions (WxL)	Resistance Tolerance	Packaging Code	TCR (PPM/ $^{\circ}C$ )	Power Rating	Resistance	Material & Shape Code	Function Code
	0340: 3.1x4.1	D: $\pm 0.5\%$ F: $\pm 1\%$ J: $\pm 5\%$	T: Taping Reel	E : $\pm 100$	D: 5W E: 7W 9: 9W J: 10W	0M30: 0.3m $\Omega$ 0M50: 0.5m $\Omega$ R001: 1m $\Omega$ R002: 2m $\Omega$	MI: Manganin & Inward Fold KI: Kamar & Inward Fold	A: Automotive Grade

**Standard Electrical Specifications**

Type	Power Rating P <sub>70°C</sub>	Material	Resistance Range(mΩ)			TCR (PPM/°C)
			±0.5%	±1%	±5%	
LRA0340	10W	Manganin	0.3			±100
	9W	Manganin	0.5			±100
	7W	Manganin	1			±100
	5W	Kamar	2, 2.5			±100

■ Operating Temperature: -55 ~ +175°C

**Derating Curve**

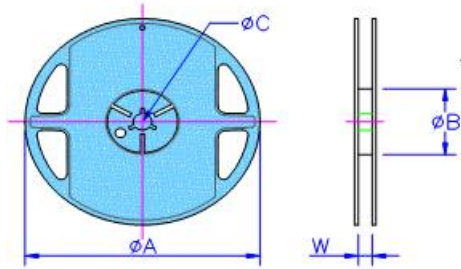


**Environmental Characteristics**

Item	Requirement	Test Method
Thermal shock	Within the specified value	IEC60115-1 4.8 Measured value -55°C and +125°C, reference value +20°C
Solderability	No visible damage, weldable area 95% minimum	IEC60115-1 4.17 245°C Tin slot, hold for 3 sec
Short time overload	No visible damage, ΔR±0.5% maximum	IEC60115-1 4.13 2.5 times rated voltage, 5 sec
Resistance to solder heat	No visible damage, ΔR±0.5% maximum	IEC60115-1 4.18 270°C Tin bath, hold for 10 sec
High temperature and humidity	No visible damage, ΔR±1.0% maximum	MIL-STD-202 Method 103 Temperature 85°C, humidity 85% of the conditions applied 10% of the rated power (current) or component limit current (whichever is less), for 1000 hours
High temperature storage	No visible damage, ΔR±0.5% maximum	IEC60115-1 4.25.3 1000 hrs @ 170°C, without load
Low temperature load	No visible damage, ΔR±0.5% maximum	IEC60115-1 4.36 -55°C, No load for one hour, rated voltage load for 45 min, no load for 15 min
Temperature cycling	No visible damage, ΔR±0.5% maximum	IEC60115-1 4.19 -55°C @ 30 min ~ room temperature @ <5 min ~ +155°C @ 30 min, 500 cycles
Load life	No visible damage, ΔR±1.0% maximum	IEC60115-1 4.25.1 1000 h @ 70±2°C, rated voltage, 90 min on, 30 min off

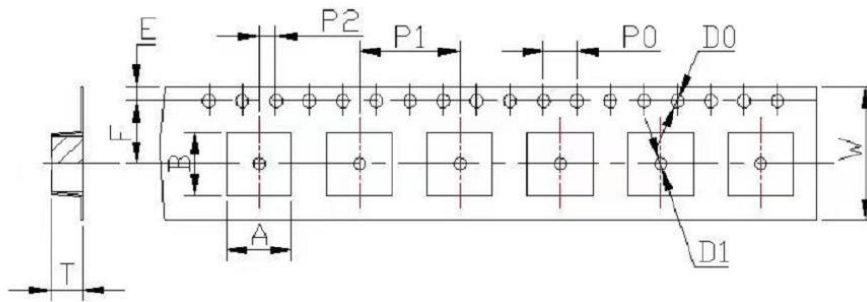
**■Packaging**

Reel Specifications & Packaging Quantity



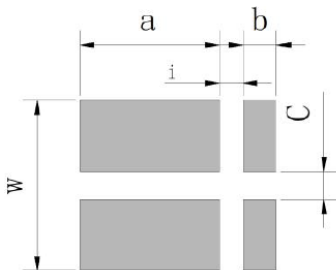
Type	Packaging Quantity(EA)	Tape Width	Reel Diameter	ΦA (mm)	ΦB (mm)	ΦC (mm)	W (mm)
LRA0340	1K	12mm	7 inch	178±2	60±1	13.5±0.5	12.3±1

Tape Specifications



Type	A (mm)	B (mm)	W (mm)	E (mm)	F (mm)	P0 (mm)	P1 (mm)	P2 (mm)	ΦD0 (mm)	T (mm)
LRA0340	3.4	4.2	12	1.75	5.5	4	8	2	1.5	2.3

**■Recommend Land Pattern**



Type	a (mm)	b (mm)	c (mm)	i (mm)	w (mm)
LRA0340	2.95	0.7	0.6	0.5	3.6