

Data Sheet

Customer:

Product: MELF High Voltage Resistor-CSRH Series

Size: 0207/0309

Issued Date: 14-Jul-22

Edition: REV.A4



VIKING TECH CORPORATION
光韻科技股份有限公司
No.70, Guangfu N. Rd.,
Hukou Township, Hsinchu County
303, Taiwan (R.O.C)

TEL:886-3-5972931
FAX:886-3-5972935•886-3-5973494
E-mail:sales@viking.com.tw

VIKING TECH CORPORATION KAOHSIUNG BRANCH
光韻科技股份有限公司高雄分公司
No.248-3, Sin-Sheng Rd., Cian-Jhen Dist., Kaohsiung,
806, Taiwan

TEL:886-7-8217999
FAX:886-7-8228229
E-mail:sales@viking.com.tw

WUXI TMTEC CO., LTD.
無錫泰銘電子有限公司
No.22 Xixia Road, Machinery & Industry Park,
National Hi-Tech Industrial Development Zone
of Wuxi, Wuxi, Jiangsu Province, China
Zip Code:214028
TEL:86-510-85203339
FAX:86-510-85203667•86-510-85203977
E-mail:china@viking.com.tw

Produced by (QC)	Checked (QC)	Approved by (QC)	Prepared by (Sales)	Accepted by (Customer)
14-Jul-22	14-Jul-22	14-Jul-22		
<i>Mandy Chen</i>	<i>Ben Chang</i>	<i>Ben Chang</i>		

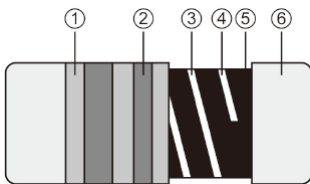
MELF High Voltage Resistor



■ Features

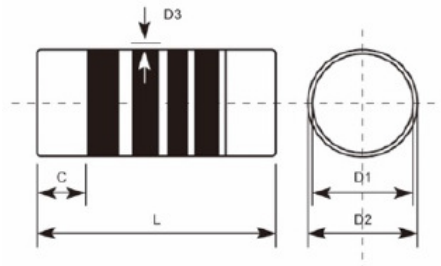
- For SMD enabled structure
- It is epoxy resin coating material
- High voltage applications for power capacitor, motor start-up protection, car & motorcycle engine ignition, etc. other surge energy request able to design for engineer design request

■ Construction



① Insulation Coating	④ Ceramic Rod
② Marking	⑤ Resistor Layer
③ Trimming Line	⑥ Electrode Cap

■ Dimension



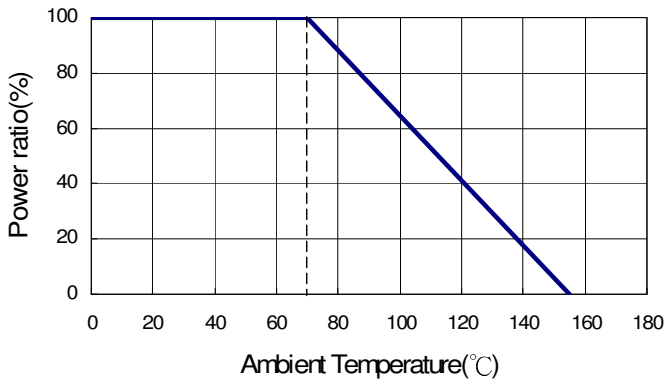
Type	L (mm)	D1 (mm)	D2 max (mm)	D3 max (mm)	C min (mm)
CSRH0207	5.90±0.20	2.20±0.10	2.40	0.15	0.5
CSRH0309	8.50±0.20	3.20±0.20	3.40	0.30	0.5

■ Part Numbering

CSRH	0207	F	T	E	U	1003
Product Type	Dimensions (L×D2)	Resistance Tolerance	Packaging Code	TCR (PPM/°C)	Power Rating	Resistance
	0207: 5.9x2.4 0309: 8.5x3.4	F: ±1% J: ±5%	T: Taping Reel	E: ±100 F: ±200	U: 1/2W T: 1W	1003: 100KΩ 1004: 1MΩ

MELF High Voltage Resistor

Derating Curve



Standard Electrical Specifications

Item Type	Power Rating at 70°C	Operating Temp. Range	Max. Operating Voltage	Max. Overload Voltage	Resistance Range		TCR (PPM/°C)
					±1%	±5%	
0207	1/2W	-55 ~ +155°C	500V	700V	100KΩ-22MΩ		±100 ±200
0309	1W	-55 ~ +155°C	700V	1000V	100KΩ-22MΩ		±100 ±200

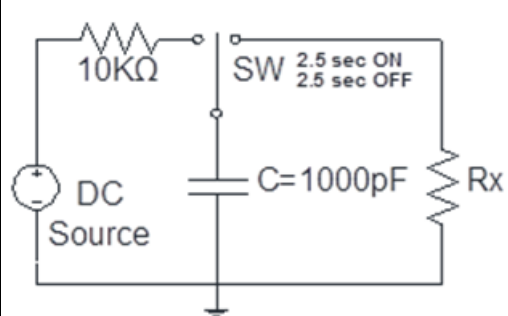
Anti Surge Voltage

Type	Power Rating	Voltage
0207	1/2W	100KΩ-10MΩ : 3KV
0309	1W	100KΩ-10MΩ : 4KV

Environmental Characteristics

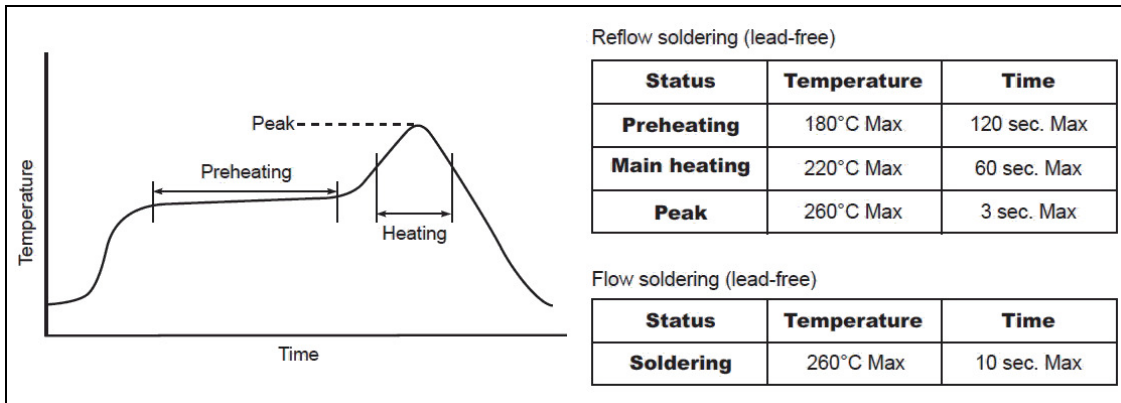
Item	Requirement	Test Method		
Temperature Coefficient of Resistance (T.C.R.)	As Spec.	+25/-55/+25/+125°C		
Short Time Overload	±(1%+0.05Ω)	$V = \sqrt{(P \cdot R) \cdot 2.5}$ for 5 seconds		
		Size	0207	0309
		Power Rating	1/2W	1W
		Voltage Max	200V	250V
Resistance to Soldering Heat	±(1%+0.05Ω)	260±5°C for 10±1 seconds		
Solderability	95% min. coverage	245±5°C for 3±0.5 seconds		
Thermal Shock Test	±(2%+0.05Ω)	5cycle for -55°C 30minute 155°C 30minute		
Load Life Test	±(5%+0.05Ω)	70±2°C, DC 1.5 hrs "ON" and 0.5 hrs "OFF", applied continuously for 1000±48 hrs		
Humidity Test	±(5%+0.05Ω)	40±2°C, 90~95% R.H., 1.5 hrs "ON" and 0.5 hrs "OFF", 1000 hrs		
Resistance to Solvent	Epoxy insulation coating can not be peeled	3 circles, each circle takes 1 min		

MELF High Voltage Resistor

Item	Requirement	Test Method
Anti Surge Characteristics	$\pm(5\%+0.05\Omega)$	Discharge Test: 1/2W=3KV 1W=4KV  1000pF capacitor Discharge Pulse 50 time. (1 pluse / 5 sec. max)

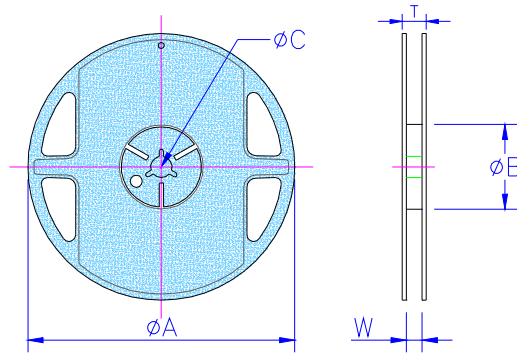
■ **Storage Temperature: 5~40°C; Humidity 55~75%RH**

■ **Soldering Condition**



MELF High Voltage Resistor

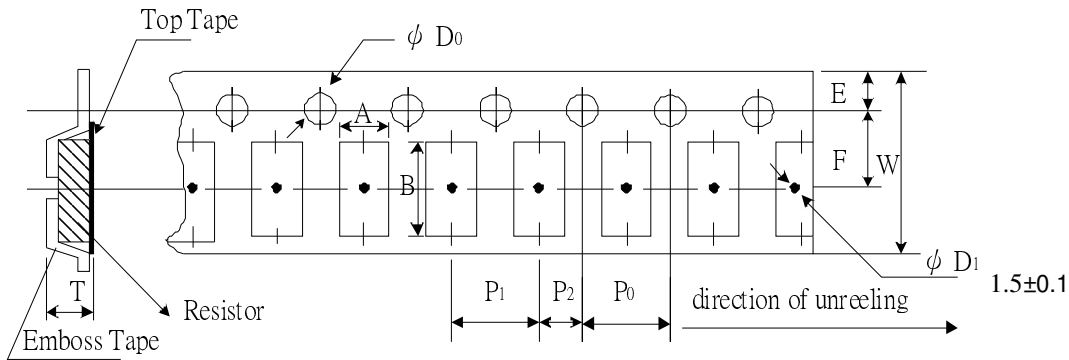
■Packaging



Packaging Quantity & Reel Specifications

Type	Reel Diameter	ΦA (mm)	ΦB (mm)	ΦC (mm)	W (mm)	T (mm)	Emboss Plastic Tape (EA)
CSRH0207	7 inch	178.0±1.0	60.0±0.5	13.0±0.5	13.2±0.5	16.0±0.20	2,000
CSRH0309	13 inch	330.0±1.0	100.0±1.0	13.0±0.5	17.0±0.5	21.5±0.20	2,500

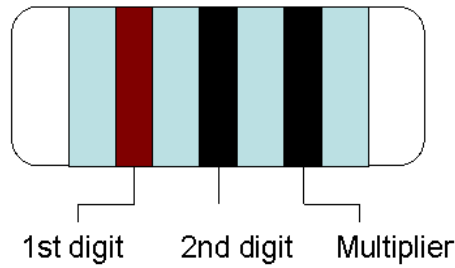
Emboss Plastic Tape Specifications



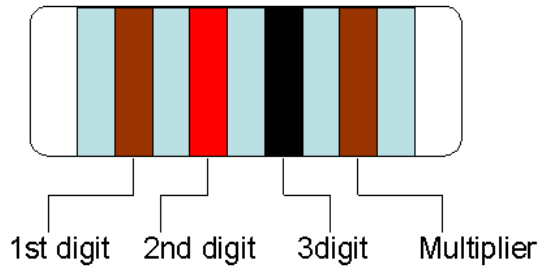
Type	A (mm)	B (mm)	W (mm)	E (mm)	F (mm)	P ₀ (mm)	P ₁ (mm)	P ₂ (mm)	ΦD_0 (mm)	T (mm)
CSRH0207	2.40±0.10	6.05±0.10	12.0±0.10	1.75±0.10	5.50±0.05	4.00±0.10	4.00±0.10	2.00±0.10	1.50±0.10	2.80±0.10
CSRH0309	3.50±0.10	8.85±0.10	16.0±0.10	1.75±0.10	7.50±0.10	4.00±0.10	8.00±0.10	2.00±0.10	1.50±0.10	3.85±0.10

MELF High Voltage Resistor

■ Marking & Resistance Tolerance



±5%	E-24	1.0	1.1	1.2	1.3	1.5	1.6	1.8	2.0	2.2	2.4	2.7	3.0	3.3	3.6	3.9	4.3	4.7	5.1	5.6	6.2	6.8	7.5	8.2	9.1
-----	------	-----	-----	-----	-----	-----	-----	-----	-----	-----	-----	-----	-----	-----	-----	-----	-----	-----	-----	-----	-----	-----	-----	-----	-----



±1%	E-24	1.0	1.1	1.2	1.3	1.5	1.6	1.8	2.0	2.2	2.4	2.7	3.0	3.3	3.6	3.9	4.3	4.7	5.1	5.6	6.2	6.8	7.5	8.2	9.1
	E-96	1.00	1.02	1.05	1.07	1.10	1.13	1.15	1.18	1.21	1.24	1.27	1.30	1.33	1.37	1.40	1.43	1.47	1.50	1.54	1.58	1.62	1.65	1.69	1.74
		1.78	1.82	1.87	1.91	1.96	2.00	2.05	2.10	2.15	2.21	2.26	2.32	2.37	2.43	2.49	2.55	2.61	2.67	2.74	2.80	2.87	2.94	3.01	3.09
		3.16	3.24	3.32	3.40	3.48	3.57	3.65	3.74	3.83	3.92	4.02	4.12	4.22	4.32	4.42	4.53	4.64	4.75	4.87	4.99	5.11	5.23	5.36	5.49
		5.62	5.76	5.90	6.04	6.19	6.34	6.49	6.65	6.81	6.98	7.15	7.32	7.50	7.68	7.87	8.06	8.25	8.45	8.66	8.87	9.09	9.31	9.53	9.76

Color	Digit	Multiplier
Silver	-	10 ⁻²
Gold	-	10 ⁻¹
Black	0	10 ⁰
Brown	1	10 ¹
Red	2	10 ²
Orange	3	10 ³
Yellow	4	10 ⁴
Green	5	10 ⁵
Blue	6	10 ⁶
Violet	7	10 ⁷
Grey	8	10 ⁸
White	9	10 ⁹