

Data Sheet

Customer :

Product : Aluminum Nitride Thin Film Precision Chip Resistor – ARN Series

Size: 0603/0805/1206/2512

Issued Date: 1-Jul-24

Edition : REV.A6



VIKING TECH CORPORATION
光頤科技股份有限公司

No.70, Guangfu N. Rad.,
Hsin Chu Industrial Park,
Hukou Hsiang, Hsin Chu Hsien,
303, Taiwan

TEL:886-3-5972931

FAX:886-3-5972935•886-3-5973494

E-mail:sales@viking.com.tw

VIKING TECH CORPORATION KAOHSIUNG BRANCH
光頤科技股份有限公司高雄分公司

No.248-3, Sin-Sheng Rd., Cian-Jhen Dist., Kaohsiung,
806, Taiwan

TEL:886-7-8217999

FAX:886-7-8228229

E-mail:sales@viking.com.tw

Viking Electronics (WUXI) CO., LTD.
光頤電子(無錫)有限公司

No.1A,(Xixia Road),Machinery & Industry Park,
National Hi-Tech Industrial Development Zone of
Wuxi, Wuxi, Jiangsu Province, China
Zip Code:214028

TEL:86-510-85203339

FAX:86-510-85203667•86-510-85203977

E-mail:wuxisales@tmtec.com.tw

Produced by (QC)	Checked (QC)	Approved by (QC)	Prepared by (Sales)	Accepted by (Customer)
1-Jul-24	1-Jul-24	1-Jul-24		
Chun	Ben Chang	Ben Chang		

Aluminum Nitride Thin Film Precision Chip Resistor (ARN Series)



■ Features

- High thermal conductivity aluminum nitride substrate
- Power rating up to 6.0W
- Resistance 50Ω ~ 30.1KΩ
- Resistor tolerance to ± 0.1%
- TCR to ± 25ppm/ ° C

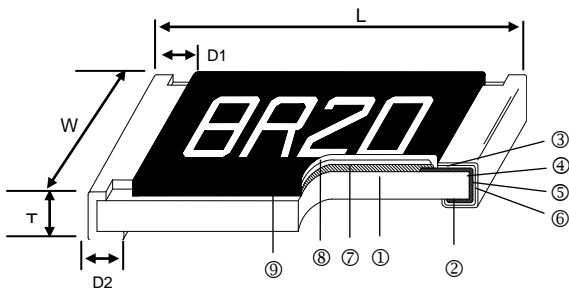
■ Applications

- Power Supplies
- Power Switching

■ Typical Performance

- TCR. 25 ppm/°C
- TOL. 0.1 %

■ Construction



① Alumina Nitride Substrate	④ Edge Electrode	⑦ Resistor Layer
② Bottom Electrode	⑤ Barrier Layer	⑧ Overcoat
③ Top Electrode	⑥ External Electrode	⑨ Marking

■ Dimensions

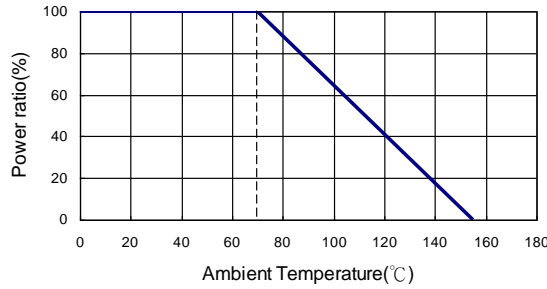
Unit: mm

Type	Size (Inch)	L	W	T	D1	D2	Weight (g) (1000pcs)
ARN03	0603	1.55±0.10	0.80±0.10	0.43±0.15	0.30±0.15	0.50±0.20	1.73
ARN05	0805	2.00±0.15	1.25±0.15	0.43±0.15	0.35±0.15	0.60±0.20	3.95
ARN06	1206	3.05±0.20	1.55±0.20	0.43±0.15	0.50±0.15	1.20±0.20	10.98
ARN12	2512	6.30±0.20	3.10±0.20	0.43±0.15	0.70±0.25	1.60±0.25	42.32

■ Part Numbering

ARN	06	C	T	C	S	1000	N
Product Type	Dimensions (LxW)	Resistance Tolerance	Packaging Code	TCR (PPM/°C)	Power Rating	Resistance	Marking Code
	03: 0603 05: 0805 06: 1206 12: 2512	B: ±0.1% C: ±0.25% D: ±0.5% F: ±1%	T: Taping Reel B: Bulk	C: ±25 D: ±50	U : 1/2W T : 1W S : 2W I : 6W	0500: 50Ω 1000: 100Ω 5000: 500Ω 1002: 10KΩ	:Standard Marking N: No Marking

Derating Curve



Standard Electrical Specifications

Type	Item	Power Rating at 70°C	Operating Temp. Range	Max Operating Voltage	Max Overload Voltage	Resistance Range				TCR (PPM/°C)
						±0.1%	±0.25%	±0.5%	±1%	
ARN03 (0603)		1/2W ⁽¹⁾	-55°C ~ +155°C	75V	150V	50Ω~30.1KΩ				±25 ±50
ARN05(0805)		1.0W ⁽¹⁾	-55°C ~ +155°C	100V	200V	50Ω~30.1KΩ				±25 ±50
ARN06 (1206)		2.0W ⁽¹⁾	-55°C ~ +155°C	100V	200V	50Ω~30.1KΩ				±25 ±50
ARN12 (2512)		6.0W ⁽¹⁾	-55°C ~ +155°C	100V	200V	50Ω~30.1KΩ				±25 ±50

⁽¹⁾ Dependant on component mounting by user.

Operating Voltage= $\sqrt{P \cdot R}$ or Max. operating voltage listed above, whichever is lower.

■ Viking is capable of manufacturing the optional spec based on customer's requirement.

Environmental Characteristics

Item	Requirement	Test Method
Temperature Coefficient of Resistance (T.C.R.)	As Spec.	MIL-STD-202 Method 304 +25/-55/+25/+125/+25°C
Short Time Overload ⁽²⁾	$\Delta R \pm 0.5 \%$	Actual power handling capability is limited by the end user mounting process. As with any high power chip resistor the ability to remove the heat is critical to the overall performance of the device
Insulation Resistance	>9999MΩ	MIL-STD-202 Method 302 Apply 100V _{DC} for 1 minute
Endurance	$\Delta R \pm 1 \%$	MIL-STD-202 Method 108 70±2°C, RCWV for 1000 hrs with 1.5 hrs "ON" and 0.5 hrs "OFF"
Damp Heat with Load	$\Delta R \pm 0.4 \%$	MIL-STD-202 Method 103 40±2°C, 90~95% R.H. RCWV for 1000 hrs with 1.5 hrs "ON" and 0.5 hrs "OFF"
Solderability	95% min. coverage	MIL-STD-202 Method 208 245±5°C for 3 seconds
Resistance to Soldering Heat	$\Delta R \pm 0.2 \%$	MIL-STD-202 Method 210 260±5°C for 10 seconds
Low Temperature Operation	$\Delta R \pm 0.2 \%$	JIS-C-5201-1 4.36 1 hour, -65°C, followed by 45 minutes of RCWV
High Temperature Exposure	$\Delta R \pm 0.2 \%$	MIL-STD-202 Method 108 At + 155°C for 1000hrs
Thermal Shock	$\Delta R \pm 0.2 \%$	MIL-STD-202F Method 107 -55°C ~150°C, 100 cycles

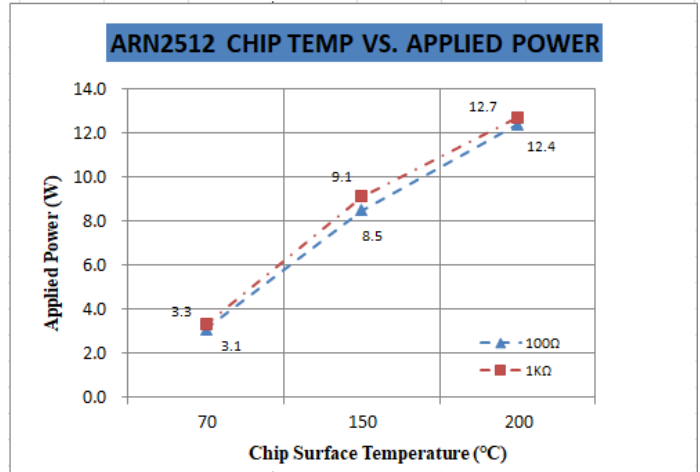
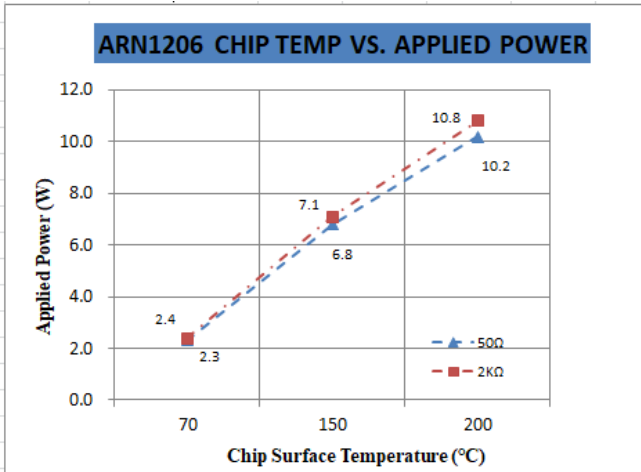
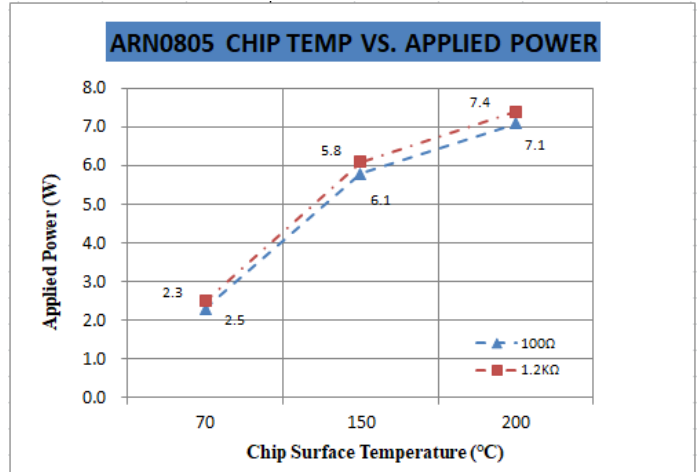
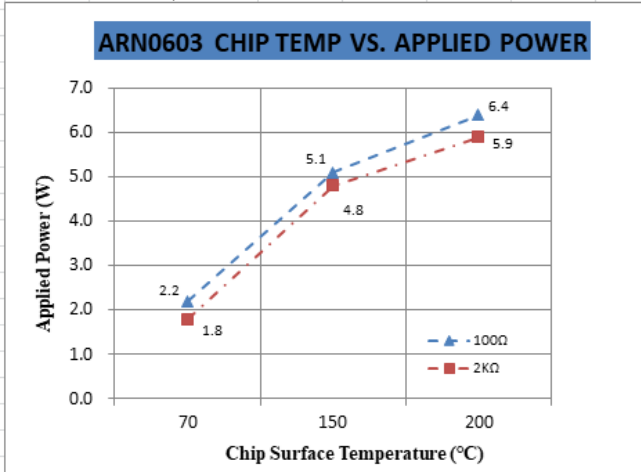
RCWV(Rated continuous working voltage)= $\sqrt{P \cdot R}$ or Max. Operating voltage whichever is lower

■ Reference Standards: MIL-STD-202, JIS-C 5201

■ Storage Temperature: 15~28°C; Humidity < 80%RH

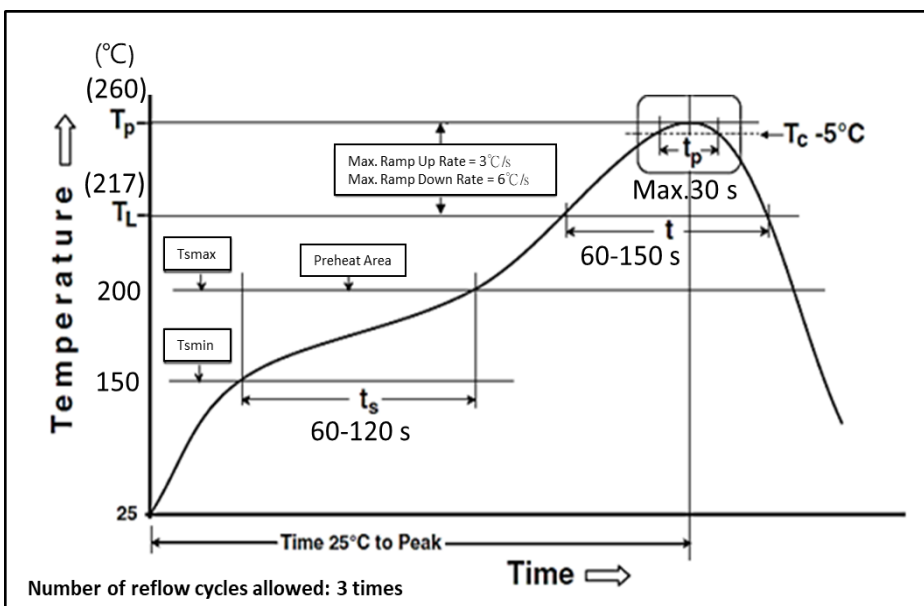
■ Shelf Life: 2 years from production date.

Chip Temp Vs. APPLIED POWER



(2) Chip surface temperature measured using FLIR ETS-320 thermal imaging system with an approximate test card surface temperature

Soldering Condition(IPC/JEDEC J-STD-020)



■ Marking

0603 3digit marking



3digit marking for Example: 14C=13K7Ω 13C=13K3Ω
68B=4K99Ω 68X=49.9Ω

Marking Table

Code	E96	Code	E96	Code	E96	Code	E96				
01	100	25	178	49	316	73	562				
02	102	26	182	50	324	74	576				
03	105	27	187	51	332	75	590				
04	107	28	191	52	340	76	604				
05	110	29	196	53	348	77	619				
06	113	30	200	54	357	78	634				
07	115	31	205	55	365	79	649				
08	118	32	210	56	374	80	665				
09	121	33	215	57	383	81	681				
10	124	34	221	58	392	82	698				
11	127	35	226	59	402	83	715				
12	130	36	232	60	412	84	732				
13	133	37	237	61	422	85	750				
14	137	38	243	62	432	86	768				
15	140	39	249	63	442	87	787				
16	143	40	255	64	453	88	806				
17	147	41	261	65	464	89	825				
18	150	42	267	66	475	90	845				
19	154	43	274	67	487	91	866				
20	158	44	280	68	499	92	887				
21	162	45	287	69	511	93	909				
22	165	46	294	70	523	94	931				
23	169	47	301	71	536	95	953				
24	174	48	309	72	549	96	976				
Code	A	B	C	D	E	F	G	H	X	Y	Z
Multiplier	10 ⁰	10 ¹	10 ²	10 ³	10 ⁴	10 ⁵	10 ⁶	10 ⁷	10 ⁻¹	10 ⁻²	10 ⁻³

0603 3digit marking for E24

Example: 101=100Ω 102=1KΩ

E24	10	11	12	13	15	16	18	20	22	24	27	30	33	36	39	43	47	51	56	62	68	75	82	91
-----	----	----	----	----	----	----	----	----	----	----	----	----	----	----	----	----	----	----	----	----	----	----	----	----

0805-2512 4digit marking

Example

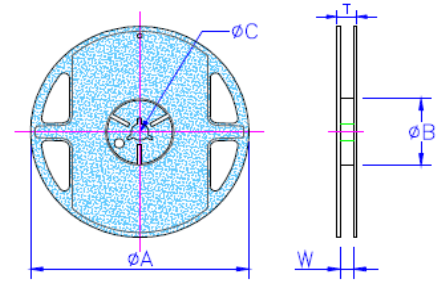
Resistance	500Ω	2.2KΩ	10KΩ	12.5KΩ
marking	5000	2201	1002	1252

■Packaging

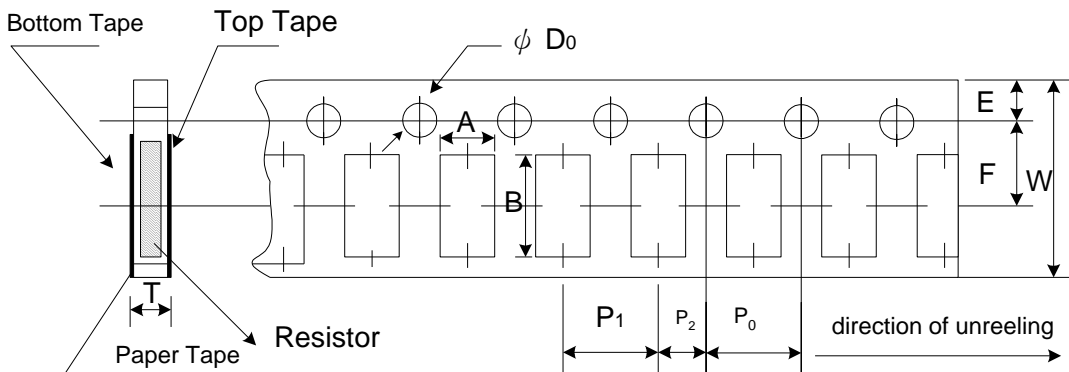
Packing Quantity & Reel Specifications

Unit :mm

Type	ØA	ØB	ØC	W	T	Paper Tape (EA)	Emboss Plastic Tape (EA)
ARN03	178.0±1.0	60.0±1.0	13.5±0.7	9.5±1.0	11.5±1.0	5,000	-
ARN05	178.0±1.0	60.0±1.0	13.5±0.7	9.5±1.0	11.5±1.0	5,000	-
ARN06	178.0±1.0	60.0±1.0	13.5±0.7	9.5±1.0	11.5±1.0	5,000	-
ARN12	178.0±1.0	60.0±1.0	13.5±0.7	13.5±1.0	15.5±1.0	-	4,000



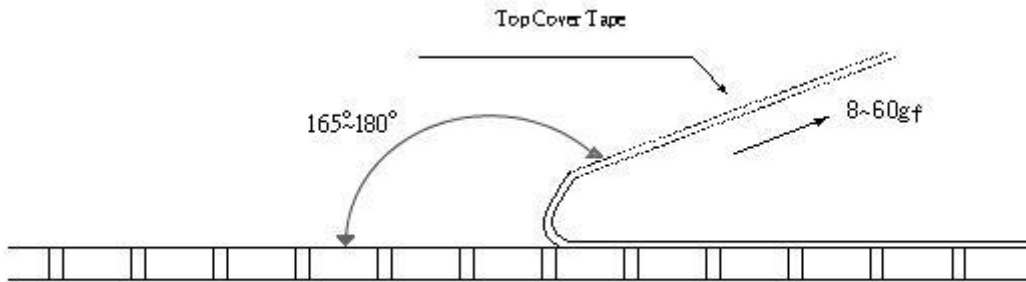
Paper Tape Specifications



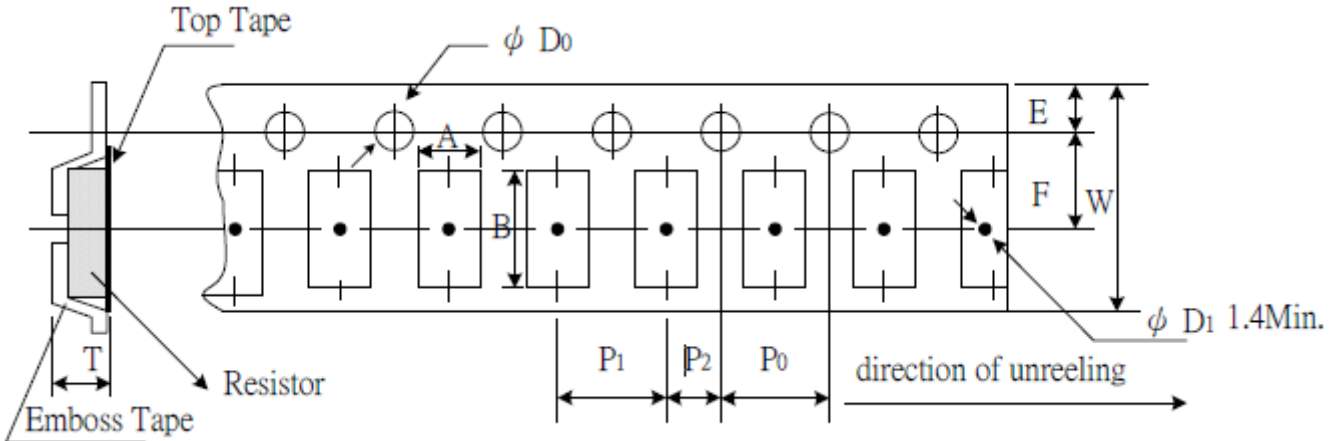
Unit: mm

Type	A	B	W	E	F	P ₀	P ₁	P ₂	ΦD ₀	T
ARN03	1.10±0.05	1.90±0.05	8.00±0.10	1.75±0.05	3.5±0.05	4.00±0.10	4.00±0.10	2.00±0.05	1.55±0.05	0.60±0.03
ARN05	1.60±0.05	2.37±0.05	8.00±0.10	1.75±0.05	3.5±0.05	4.00±0.10	4.00±0.10	2.00±0.05	1.55±0.05	0.75±0.05
ARN06	2.00±0.05	3.55±0.05	8.00±0.10	1.75±0.05	3.5±0.05	4.00±0.10	4.00±0.10	2.00±0.05	1.55±0.05	0.75±0.05

- Peel force of top cover tape
- The peel speed shall be about 300mm/min±5%
- The peel force of top cover tape shall be between 8gf to 60gf

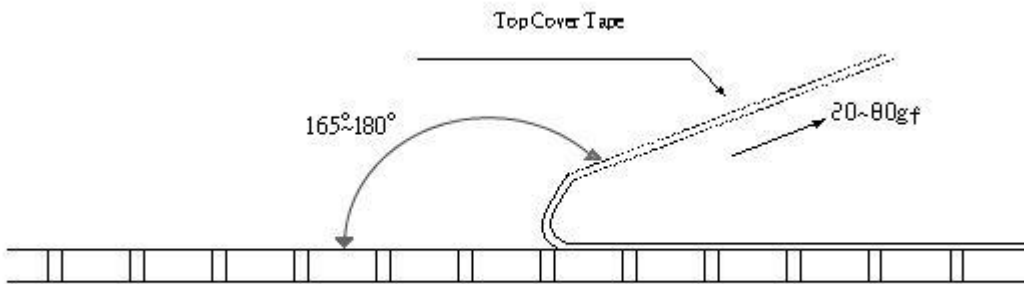


Emboss Plastic Tape Specifications

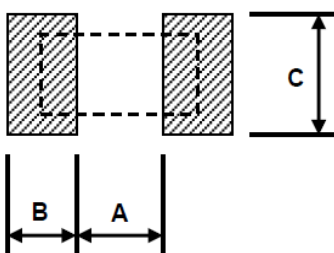


Type	A	B	W	E	F	P ₀	P ₁	P ₂	ΦD ₀	T
ARN12	3.40±0.10	6.65±0.10	12.0±0.10	1.75±0.10	5.5±0.05	4.00±0.10	4.00±0.10	2.00±0.05	1.50±0.10	1.00±0.20

- Peel force of top cover tape
- The peel speed shall be about 300mm/min±5%
- The peel force of top cover tape shall be between 20gf to 80gf



Recommend Land Pattern



Unit: mm

Type	A	B	C
ARN03	0.37	0.99	0.86±0.1
ARN05	0.50	1.08	1.32±0.1
ARN06	0.60	1.90	1.80±0.1
ARN12	2.77	2.31	3.20±0.2

- Use a board with a copper thickness of two ounces